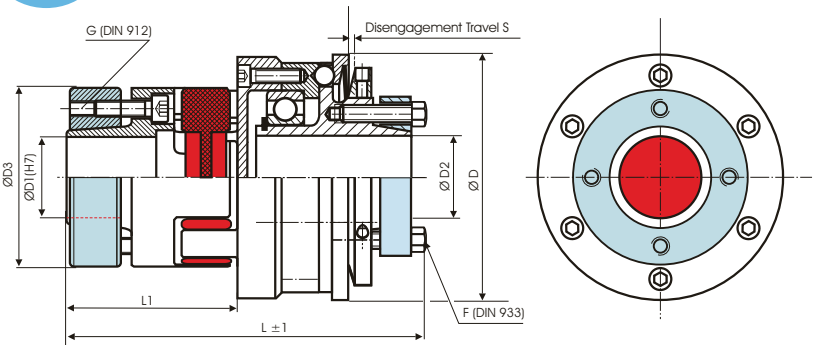


Safety Coupling

with 2 Outer Cones

optional
nickel-
plated!

optional
stainless
steel



Order Code: KBK/EAA - 24 - 119.5 16H7 - 15H7 - 20Nm - C or D - 2

Type - Size

Length

Bore D1 (H7)

Bore D2 (H7)

Disengagement
Torque

Overload
Torque Range

C = Single Position, D = Multi Position Engagement

KBK/EAA-x	Dimensions (mm)									Technical Ratings								
	Ø D	L	Ø D1	Ø D2	Ø D3	G	F	L1	S	Maximum Speed	Mass	Moment of Inertia	Torque 98 Sh	Overload Torque adjustable		Misalignment		
	Outer Ø	Length	Bore Size (H7) min ~ max	Bore Size (H7) min ~ max		Screw (DIN 912) TA (Nm)	Screw (DIN 933) TA (Nm)			rpm. (1/min)	(kg)	J (kg cm ²)	T _{KN} (Nm)	1 T _{KN} (Nm)	2 T _{KN} (Nm)	radial ΔKr (mm)	axial ΔKa (mm)	angular ΔKw (°)
-14	49	75	6-14	5-14	30	M3	M3	32	0.7	11690	0.29	0.7	12.5	3-7	5-10	0.09	+1.0	0.9
		70				1.34	2.1	27									-0.5	
-19	64	96	10-19	12-20	40	M4	M5	41	1.2	8950	0.79	3.2	17	5-15	10-30	0.06	+1.2	0.9
		91				2.9	6	36									-0.5	
-24	79	119.5	15-25	15-32	55	M5	M5	50	1.2	7630	1.62	9.9	60	12-35	20-60	0.10	+1.4	0.9
		112.5				6	8.7	43									-0.5	
-28	94	143.5	19-38	20-35	65	M5	M6	59	2	6030	2.8	24	160	50-130	65-150	0.11	+1.5	0.9
		136.5				6	15	52									-0.7	
-38	119	160	20-45	25-50	80	M6	M8	67	2	4980	5.3	79	325	60-200	150-300	0.12	+1.8	0.9
		151				10	25	58									-0.7	
-42	129	189	28-50	35-55	95	M8	M8	76	2	4440	9.8	174	450	80-250	200-500	0.14	+2.0	0.9
		177.5				35	36	64									-1.0	

Material: Insert: Polyurethane 98 Sh A red
Hub: Aluminum
Outer Cone: Steel

Temperature Range: -30°C ~ 90°C

Keyway acc. DIN 6885 optional