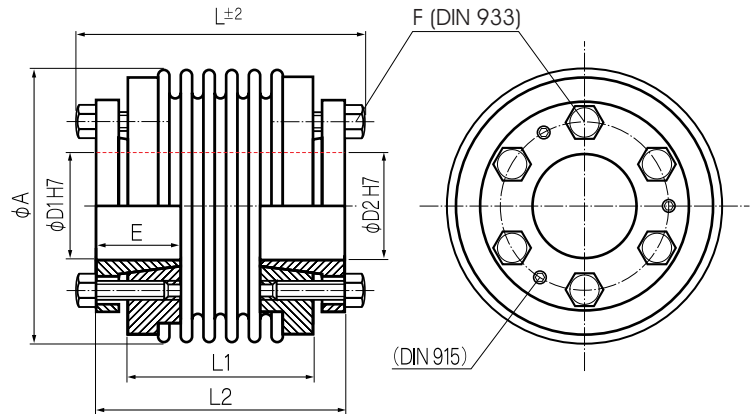


Bellows Couplings

with Inner Conical Hubs



Order Code: KB 5 / 60 - 73 - 20 - 25 (- S)

Type / Size
Length
Ø D1 (H7)
Ø D2 (H7)
(Options)

| | Torque T_{KN} (Nm) | Dimensions (mm) | | | | | | | Technical Ratings | | | | | | | | |
|-----------------|----------------------------|-----------------|---------|-------------------|------------|-----|-----|---|-------------------|---|---|------------------------------------|-----------------------------------|-----------------------------------|----------------------------------|-----------------------------------|------------------|
| | | L | Ø A | D1/D2 | E | L1 | L2 | F | Mass (kg) | Moment of Inertia J (g m ²) | Spring Stiffness | | | Misalignment | | | max Speed rpm |
| | | Length (±2) | Outer Ø | Bore Size (H7) | Hub Length | | | Screw (DIN 933) T _A (Nm) | | | torsional C _T 10 ³ (Nm/rad) | radial C _R (N/mm) | axial C _A (N/mm) | radial ΔK _r (mm) | axial ΔK _a (mm) | angular ΔK _w (°) | |
| KB5/18 | 18 | 63 | 45 | 10-18 | 20 | 38 | 56 | 4xM5 | 0.36 | 0.075 | 20 | 205 | 50 | 0.2 | 0.5 | 1.5 | 11500 |
| | | 71 | | | | 46 | 64 | 4.5 | 0.37 | 0.078 | 15 | 82 | 36 | 0.25 | 0.5 | 2 | |
| KB5/30 | 30 | 53 | 56 | 12-20 | 20 | 30 | 46 | 6xM5 | 0.4 | 0.11 | 38 | 720 | 50 | 0.15 | 0.6 | 1.5 | 11000 |
| | | 61 | | | | 38 | 54 | 4.5 | 0.42 | 0.12 | 28 | 225 | 25 | 0.25 | 1 | 2 | |
| KB5/60 | 60 | 62 | 66 | 15-25 | 25 | 36 | 54 | 6xM6 | 0.77 | 0.32 | 75 | 1150 | 90 | 0.15 | 0.6 | 1.5 | 9100 |
| | | 73 | | | | 47 | 65 | 8.5 | 0.79 | 0.34 | 50 | 340 | 50 | 0.25 | 1 | 2 | |
| KB5/80 | 80 | 78 | 82 | 20-35 | 30 | 50 | 70 | 6xM6 | 1.34 | 1.05 | 128 | 1200 | 80 | 0.2 | 0.5 | 1.5 | 7000 |
| | | 90 | | | | 62 | 82 | 10 | 1.39 | 1.11 | 75 | 400 | 50 | 0.25 | 1 | 2 | |
| KB5/150 | 150 | 78 | 82 | 20-35 | 30 | 50 | 70 | 6xM6 | 1.36 | 1.15 | 155 | 2020 | 145 | 0.2 | 0.5 | 1.5 | 7000 |
| | | 90 | | | | 62 | 82 | 15 | 1.41 | 1.21 | 105 | 595 | 85 | 0.25 | 1 | 2 | |
| KB5/200 | 200 | 78 | 90 | 20-40 | 30 | 50 | 70 | 6xM6 | 1.59 | 1.39 | 175 | 2500 | 145 | 0.2 | 0.5 | 1.5 | 6700 |
| | | 91 | | | | 63 | 83 | 15 | 1.66 | 1.49 | 120 | 460 | 82 | 0.25 | 1 | 2 | |
| KB5/300 | 300 | 90 | 110 | 25-50 | 37 | 56 | 80 | 6xM8 | 3.26 | 4.66 | 502 | 6300 | 280 | 0.2 | 0.5 | 1.5 | 5200 |
| | | 102 | | | | 67 | 91 | 17 | 3.32 | 4.81 | 285 | 1400 | 145 | 0.25 | 1 | 2 | |
| KB5/500 | 500 | 101 | 122 | 35-55 | 40 | 66 | 90 | 6xM8 | 3.78 | 6.11 | 690 | 7790 | 100 | 0.2 | 0.5 | 1.5 | 4600 |
| | | 112 | | | | 77 | 101 | 25 | 3.87 | 6.38 | 320 | 970 | 85 | 0.25 | 1 | 2 | |
| KB5/800 | 800 | 170 | 157 | 50-70 | 60 | 110 | 150 | 6xM16 | 9.05 | 24.05 | 760 | 500 | 185 | 0.2 | 0.8 | 1.8 | 3700 |
| | | | | | | | | 45 | | | | | | | | | |
| KB5/1400 | 1400 | 170 | 157 | 50-70 | 60 | 110 | 150 | 6xM16 | 9.15 | 24.2 | 1270 | 700 | 275 | 0.2 | 0.8 | 1.8 | 3700 |
| | | | | | | | | 80 | | | | | | | | | |
| KB5/3000 | 3000 | 206 | 157 | 55-85 | 60 | 150 | 190 | 6xM12 | 9.43 | 25.7 | 2810 | 2945 | 305 | 0.2 | 0.8 | 1.5 | 2800 |
| | | | | | | | | 85 | | | | | | | | | |
| KB5/5000 | 5000 | 206 | 208 | 60-90 | 65 | 146 | 186 | 6xM16 | 19.9 | 96.7 | 4810 | 4915 | 505 | 0.2 | 0.8 | 1.5 | 2800 |
| | | | | | | | | 210 | | | | | | | | | |

Material: Bellows - Stainless Steel Hubs - High Tensile Steel (also available in Stainless Steel)

Temperature Range: -30° ~ 120° C