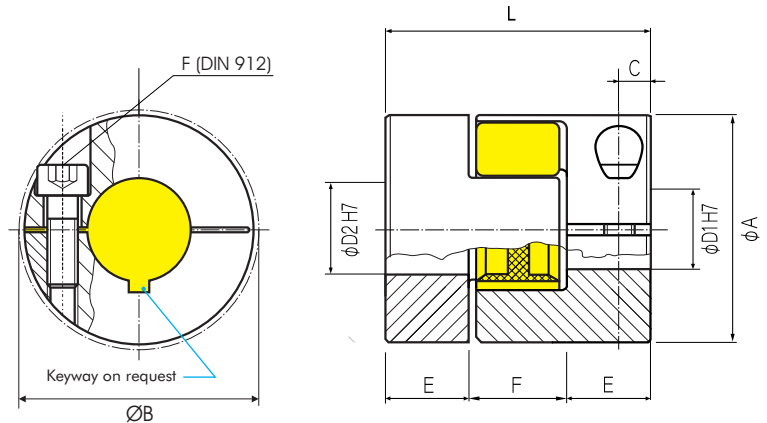


Servo Insert Coupling



Order Code: KBE 2 - 14 - 10H7 - 12H7 (- S)

Type Size Ø D1(H7) Ø D2(H7) Options

	Dimensions (mm)								Technical Ratings			
	ØA	L	Ø D1-D2	E	F	C	B	F	Maximum Speed rpm. (1/min)	Mass (per Hub) (g)	Moment of Inertia (per Hub) J (g cm ²)	Torque (Nm)
		Length	Bohre Sizes (H7) min ~ max				Max. Ø	Screw (DIN 912) T _A (Nm)				
KBE 2 - 5	10	15	2 - 5	5	5	2.5	11.4	M1.6 0.5	38000	1	0.034	0.5
KBE 2 - 7	14	22	4 - 7	7	8	3.5	15	M2 0.37				
KBE 2 - 9	20	30	4 - 11	10	10	5	23.4	M2.5 0.75	19000	10	5.7	3
KBE 2 - 14	30	35	4 - 16	11	13	5	32.2	M3 1.4				
KBE 2 - 19	40	66	10 - 22	25	16	12	47	M6 11	10000	88	200	17

Transmissible Torque (Nm) of the Hubs

Higher torques possible! Please contact us.

	Ø Bohre (mm)															
	2	3	4	5	6	7	8	9	10	11	12	14	15	16	19	20
KBE 2 - 5	0.5	0.5	0.5													
KBE 2 - 7	0.8	0.8	0.9	0.95	1	1.1										
KBE 2 - 9			2.1	2.2	2.3	2.4	2.5	2.6	2.7	2.8						
KBE 2 - 14			3.4	4.7	4.8	5.0	5.1	5.3	5.5	5.6	5.8	6.1	6.3	6.5		
KBE 2 - 19									27	27	29	30	31	32	32	34

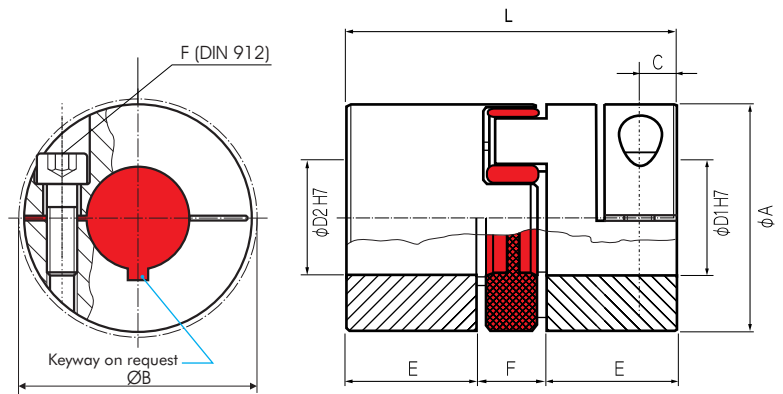
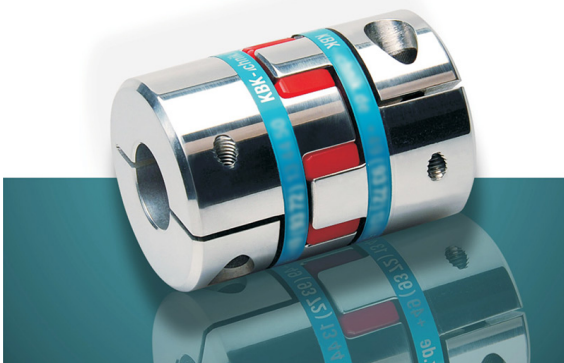
Hub: Bore Tolerance: H7 Keyway acc. DIN 6885 optional

Material: Insert - Polyurethan
Hubs - Aluminium

Hardness: up to Size 9: 92 Shore A (yellow)
from Size 14: 98 Shore A (red)

Servo Insert Coupling

with Collet Clamps



Order Code: KBE 2 - 38 - 20H7 - 40H7 (- S)
Type Size Ø D1(H7) Ø D2(H7) Options

	Dimensions (mm)								Technical Ratings			
	ØA	L	Ø D1-D2	E	F	C	B	F	Maximum Speed	Mass (per Hub)	Moment of Inertia (per Hub) J	Torque
		Length	Bore Sizes (H7) min ~ max				Max. Ø	Screw (DIN 912) T _A (Nm)	rpm. (1/min)	(g)	(g cm ²)	(Nm)
KBE 2 - 24	55	78	15 - 32	30	18	12	56.4	M6 11	7000	187	0.84	60
KBE 2 - 28	65	90	19 - 38	35	20	15	72.6	M8 25	6000	297	1.85	160
KBE 2 - 38	80	114	20 - 45	45	24	20	83.3	M8 25	5000	590	5.50	325
KBE 2 - 42	95	126	25 - 50	50	26	20	95	M10 70	4000	940	12.1	450
KBE 2 - 48	105	140	25 - 55	56	28	22	105	M12 120	3750	1300	20.2	525

Transmissible Torque (Nm) of the Hubs

Higher torques possible! Please contact us.

	Bohre (mm)																
	15	16	19	20	22	24	25	28	30	32	35	38	40	42	45	48	50
KBE 2 - 24	39	43	44	46	47	49	50	52									
KBE 2 - 28			91	93.5	96	98	100	104	107	110	113						
KBE 2 - 38				107	110	112	114	118	121	123	127	131	134	137	141		
KBE 2 - 42								250	255	260	267	279	281	288	298		
KBE 2 - 48										445	457	470	472	508	520	534	543

Hub: Bore Tolerance: H7 Keyway acc. DIN 6885 optional

Material: Insert - Polyurethan
Hubs - Aluminum

Hardness: 98 Shore A (red)