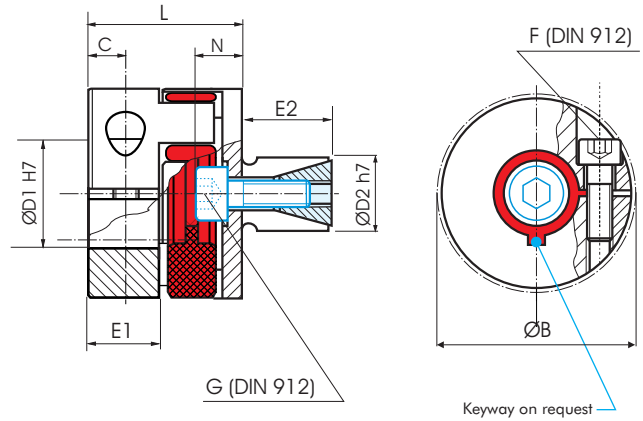


## Servo Insert Coupling

with Expanding Clamp



**Order Code:** KBE 4 - 38 - 40H7 - 35H7 ( - S )

Type                      Size                      Bore D1(H7)                      Bore D2(H7)                      Options

	Dimensions (mm)											Technical Ratings			
	ØA	L	Ø D1	Ø D2	E1	E2	N	C	B	F	G	Maximum Speed	Mass (per Hub)	Moment of Inertia J	Torque
		Length	Bore Sizes (H7) min ~ max	Bore Sizes (H7) min ~ max					Max Ø	Screw (DIN 912) T <sub>A</sub> (Nm)	Screw (DIN 912) T <sub>A</sub> (Nm)	upm. (1/min)	(g)	(g cm <sup>2</sup> )	(Nm)
<b>KBE 4 - 14</b>	30	28	4 - 16	13 - 25	11	20	7	5	32.2	M3 1.4	M5 9	20000	137	0.13	12.5
<b>KBE 4 - 19</b>	40	40	10 - 22	14 - 30	17	25	10	9	45.7	M6 15	M6 12	19000	287	0.44	17
<b>KBE 4 - 24</b>	55	46	12 - 32	23 - 36	20	27	11	10	56.4	M6 15	M8 32	14000	756	2.18	60
<b>KBE 4 - 28</b>	65	51	19 - 38	26 - 42	21	32	16	11	72.6	M8 35	M10 60	11500	1350	5.87	160
<b>KBE 4 - 38</b>	80	68	20 - 45	38 - 60	31	45	20	15	83.3	M8 35	M12 110	9500	2500	16.7	325

### Transmissible Torque (Nm) of Collet Clamp

	Ø D1 Bohrung (mm)																							
	4	6	8	9	10	11	12	14	15	16	18	19	20	24	25	28	30	32	35	38	40	42	45	
<b>KBE 4 - 14</b>	3.4	4.8	5.1	5.3	5.5	5.6	5.8	6.1	6.3	6.5														
<b>KBE 4 - 19</b>			24.3	25	25.7	26.3	27	28.4	29	29.7	31.1	31.7	32.4	25										
<b>KBE 4 - 24</b>					21	23	25	30	32	34	38	40	42	51	53	59	63	68						
<b>KBE 4 - 28</b>								54	58	62	70	74	78	93	97	109	116	124	136					
<b>KBE 4 - 38</b>									92	99	111	117	123	148	154	173	185	197	216	234	247	259	278	

Material: Insert: Polyurethan 98 Shore A (red)  
Collet Clamp: Aluminum  
Expanding Clamp: Steel